

Nail disc



PFEIFER

Threaded anchor
Formwork fixing

PFEIFER threaded anchors are easy to fasten to the formwork with the plastic nail discs. Due to their metric thread, the nail discs can be used for all anchors with an Rd or M internal thread. The disc is fastened to the formwork by nailing/screwing or gluing. The anchor is installed recessed by the dimension t. Special versions are available specifically for use with PFEIFER swivel eyes.

Advantages:

- Pre-drilled nail holes
- High quality, sturdy plastic
- Time-saving assembly due to short thread
- Colour coding for fast matching

Material:
Polyethylene HDPE

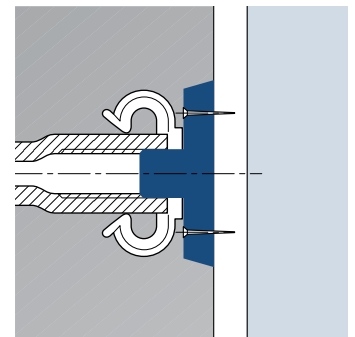
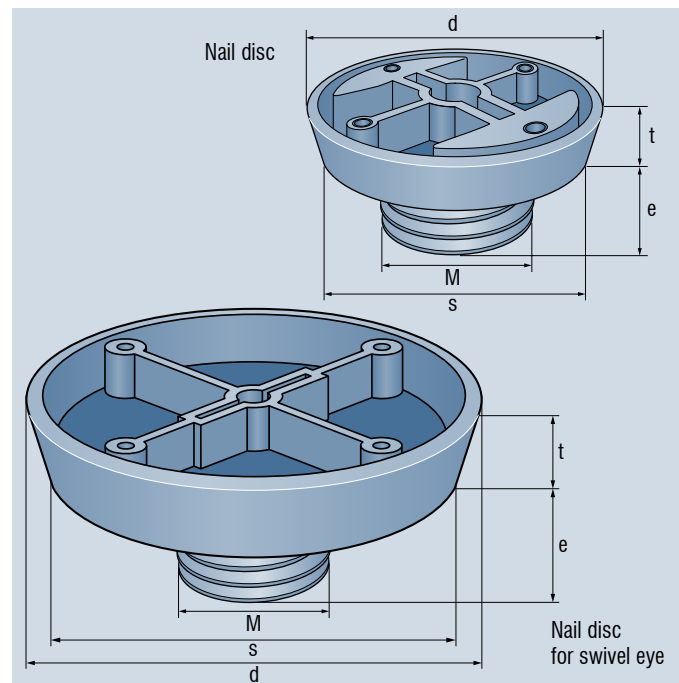


Table 1: Nail disc

Ref. no.	Type	for thread	Colour coding	Thread size	Dimensions				Packing unit [pcs.]	Weight approx [kg/100 pcs.]
					d [mm]	s [mm]	t [mm]	e [mm]		
391646	NT-10	Rd/M 10	Light blue	M 10	59,0	55,5	10	10	200	0,49
391647	NT-12	Rd/M 12	Pastel orange	M 12	59,0	55,5	10	10	200	0,51
391648	NT-14	Rd/M 14	Pure white	M 14	59,0	55,5	10	10	200	0,55
391649	NT-16	Rd/M 16	Flame red	M 16	59,0	55,5	10	10	200	0,59
391650	NT-18	Rd/M 18	Light pink	M 18	59,0	55,5	10	10	200	1,07
391651	NT-20	Rd/M 20	Pastel green	M 20	59,0	55,5	10	10	200	1,15
391652	NT-24	Rd/M 24	Anthracite grey	M 24	59,0	55,5	10	10	200	1,30
391653	NT-30	Rd/M 30	Emerald green	M 30	59,0	55,5	10	10	150	1,97
391654	NT-36	Rd/M 36	Light blue	M 36	59,0	55,5	10	15	100	2,34
391655	NT-42	Rd/M 42	Silver grey	M 42	67,5	63,0	13	20	50	5,17
391656	NT-52	Rd/M 52	Sulphur yellow	M 52	81,0	76,0	13	20	50	6,50

Table 2: Nail disc for swivel eye

391657	NT-DRA-36	Rd/M 36	Light blue	M 36	105,5	101	12	15	25	5,69
391658	NT-DRA-42	Rd/M 42	Silver grey	M 42	115,5	110	15	20	25	7,66
391659	NT-DRA-52	Rd/M 52	Sulphur yellow	M 52	135,5	130	15	20	25	8,89

Instructions for installation and use

Intended use

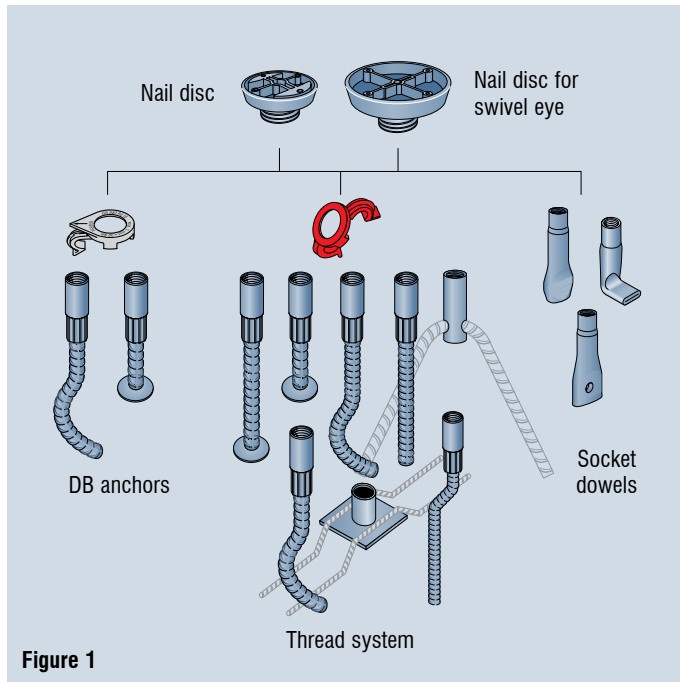


Figure 1

The plastic nail discs are used for the simple fastening of PFEIFER threaded anchors to the formwork. To do this, the nail disc is screwed into the respective internal thread of the anchor and then nailed or screwed to the formwork through the holes in the disc. The disc can also be glued to the formwork using the existing gluing surfaces (NT-10 to NT-52).

Notices:

- The nail discs are only intended to be used once!
- The colour coding is matched to the PFEIFER thread system.

Table 3: Combinable lifting keys in the thread system

Formwork fixing	Combinable lifting keys			
	Lifting loop	Flared lifting loop	Special lifting loop	Swivel eye
Nail disc	✓	✓	✗ ¹	✗ ²
Nail disc for swivel eye	✓	✓	✓	✓

¹ Rd12, Rd14, Rd16 ✓

² Rd12, Rd14 ✓

Notices:

A larger nail disc diameter is required in order to generate a level and sufficiently large contact area for the pressure disc (fig. 2) for use of the swivel eye and special lifting loop as a lifting key in the thread system. Nail discs for swivel eyes are available for this.

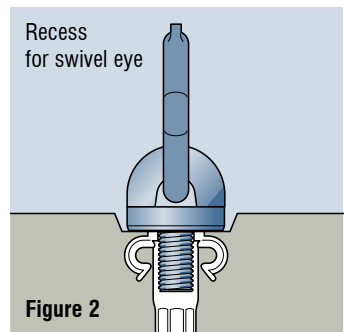


Figure 2

Installation

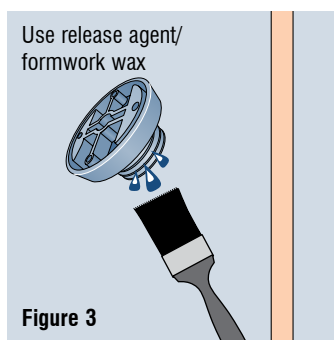


Figure 3

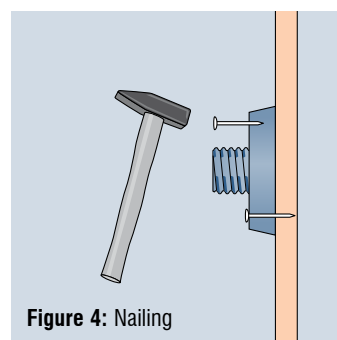


Figure 4: Nailing

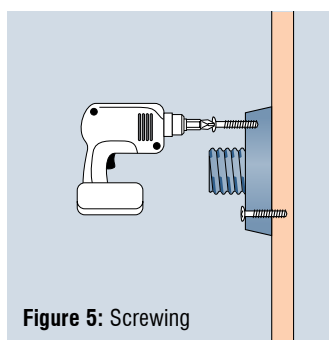


Figure 5: Screwing

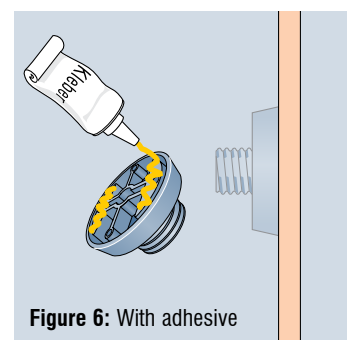


Figure 6: With adhesive

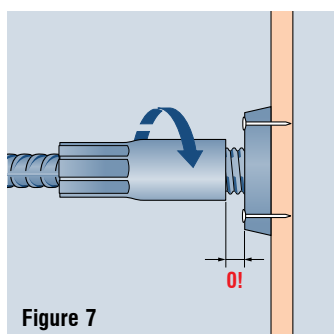


Figure 7

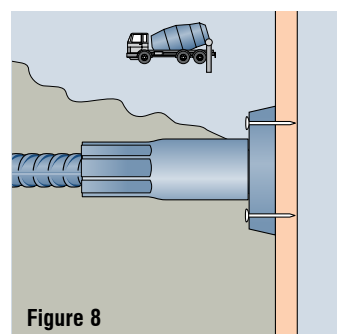
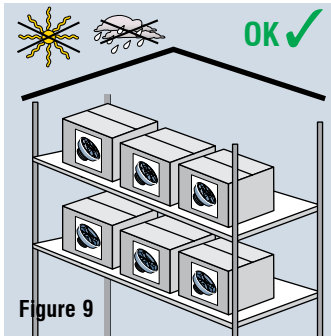


Figure 8

Notices:

- It is recommended that you coat the nail disc with release agent or formwork wax before use (fig. 3). This greatly facilitates its release after concreting.
- With large anchors it is recommended to check the stability of the formwork fastening and, if necessary, to additionally bind the anchors to the existing reinforcement.
- Make sure that the nail disc is firmly screwed into the anchor with all the thread pitches!

Storage



Notices:

Store nail discs where they are protected from UV radiation and other weather influences!

Combinable closure solutions

Table 4: Reference numbers of matching recess closures

for type	External plate		Cover cap, middle	Cover plate, middle	Cover plate, large		External cap, large	External cap, small
	Stainless steel	Concrete	Stainless steel	Concrete	Stainless steel	Concrete	Plastic	Plastic
NT-10	–	–	–	–	–	–	–	–
NT-12	202668	278360	–	–	–	–	–	118632
NT-14	–	–	–	–	–	–	–	118634
NT-16	202667	278362	–	–	–	–	–	118636
NT-18	–	–	–	–	–	–	–	118639
NT-20	202666	278363	–	–	–	–	–	118642
NT-24	202665	278364	–	–	–	–	–	118644
NT-30	202664	278365	–	–	–	–	–	118647
NT-36	–	–	227912	278357	–	–	–	118649
NT-42	–	–	227913	278358	–	–	–	135313
NT-52	–	–	227914	278359	–	–	–	118653
NT-DRA-36	–	–	–	–	135379	278346	118672	118649
NT-DRA-42	–	–	–	–	135396	278347	–	135313
NT-DRA-52	–	–	–	–	135377	278348	–	118653

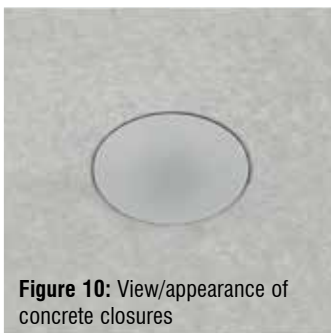


Figure 10: View/appearance of concrete closures



Notices:

As an alternative to the time-saving closure using PFEIFER accessories, the nail discs recesses can also be conventionally grouted. We recommend that this be done by professionals using suitable materials.

PFEIFER



The contact details of our locations and sales partners can be found at



www.pfeifer.info/contacts-cls

We look forward to hearing from you!

**PFEIFER
ROPE AND LIFTING
GMBH**

DR.-KARL-LENZ-STRASSE 66
D-87700 MEMMINGEN

PHONE Technical +49 83 31-937-345
Support +49 83 31-937-231
Sales +49 83 31-937-342

FAX
E-MAIL export-bt@pfeifer.de
INTERNET www.pfeifer.info

This document is superseded when
a new edition appears at www.pfeifer.info.